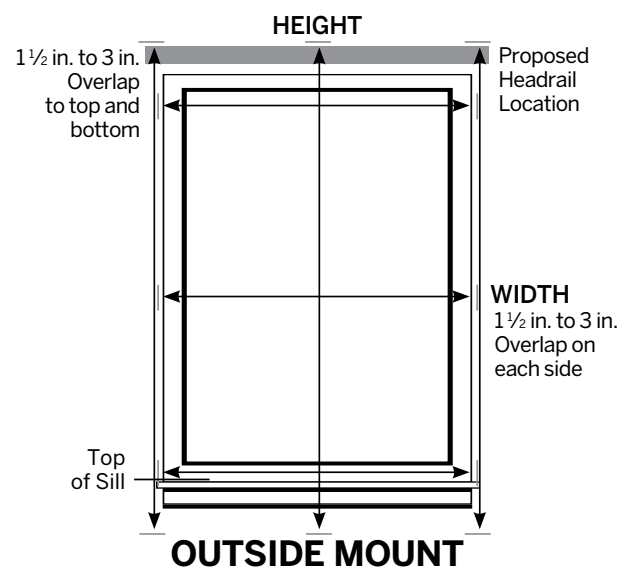
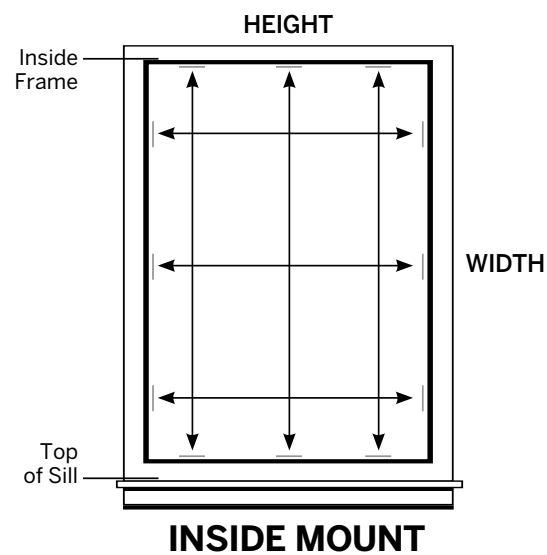


How To Measure Quickly and Accurately



INSIDE MOUNT (IM) INSTALLATION — For a beautiful framed look

1 MEASURE WIDTH

Measure to the nearest 1/8 in. between inside surfaces of window frame; at the top, middle, and bottom.

Record the narrowest width of the three.

2 MEASURE HEIGHT

Measure to the nearest 1/8 in. from inside surface at top of window to top of sill; at the left, middle, and right.

Record the tallest height of the three.

3 MEASURE DEPTH

Measure exact depth of window casing making note of any obstacles i.e. handles, tracks or cranks that could interfere with the blind function.

Use the shortest depth.

OUTSIDE MOUNT (OM) INSTALLATION — For increased light control and privacy

1 MEASURE WIDTH

Measure to the nearest 1/8 in. between outermost points where blind is to be placed.

Measurement should overlap each side of window frame by at least 1 1/2 in.

2 MEASURE HEIGHT

Measure to the nearest 1/8 in. from where top of blind will be located to top of sill, or measure to point of blind reach if no sill.

HELPFUL HINTS

Always use a metal tape measure as cloth may stretch

Measure your window – not your existing blind or shade

Measure each window separately even if they appear to be identical

Check depth to ensure blind will clear any obstacles and can accommodate headrail if flush mount is desired

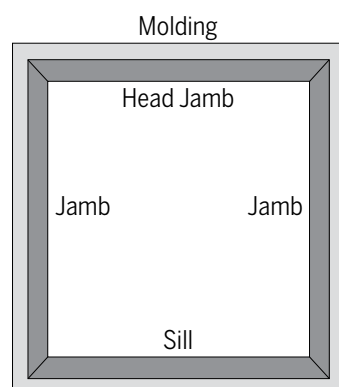
If you prefer blind not to touch sill, deduct 1/4"

If there is no sill, measure height to point where blind is to reach

NOTE: Take all measurements to the nearest 1/8 in. **DO NOT** take any deductions. The factory will make the necessary adjustments to help ensure your window covering operates smoothly.

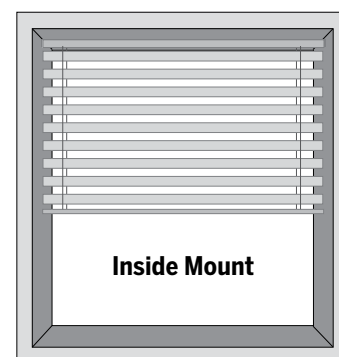
Visit www.levolor.com/how-to-measure for more measuring information

Window and Measuring Terminology



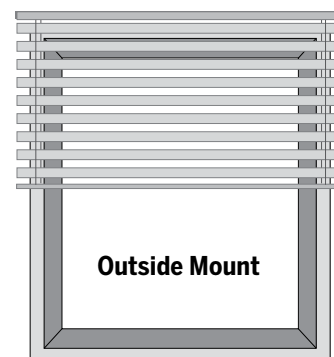
WINDOW COMPONENTS TERMINOLOGY

- Collectively, the sill and jambs are called the "window casement" or "frame".



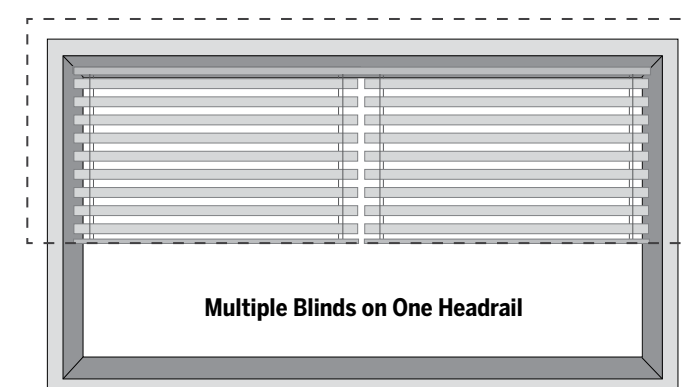
INSIDE MOUNT

- Blind fits within window opening.
- Great for windows with beautiful trim.



OUTSIDE MOUNT

- Blind mounts outside window opening.
- Increased light control and privacy.



MULTIPLE BLINDS ON ONE HEADRAIL

- Provides the clean appearance of a single blind with the ability to operate each blind independently.
- Can be mounted inside or outside.
- Can be 2-on-1 or 3-on-1, depending on width of window. 2-on-1 is shown in the image above.

How to Measure Two Blinds on One Headrail

INSIDE MOUNT (IM) INSTALLATION — For a beautiful framed look

1 MEASURE WIDTH

Total Blind Width — Measure to the nearest $\frac{1}{8}$ in. between inside surfaces of window frame; at the top, middle, and bottom. **Record the narrowest width of the three.**

Left Blind Width — Measure the width that you want the left blind to cover. **Order this blind first when placing your order.**

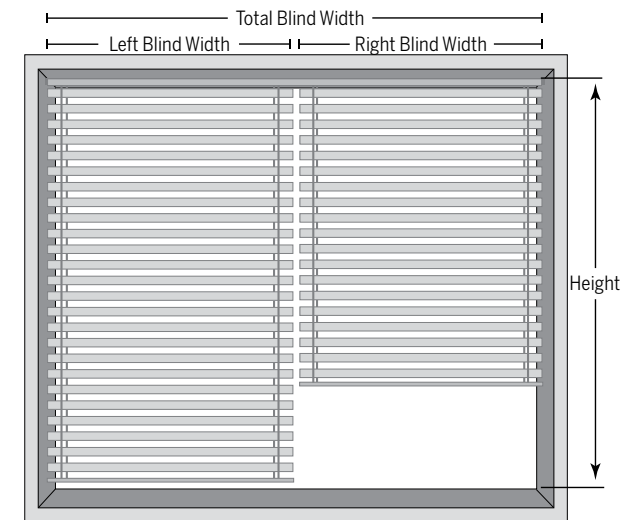
Right Blind Width — Measure the width that you want the right blind to cover.

2 MEASURE HEIGHT

Overall Blind Height — Measure to the nearest $\frac{1}{8}$ in. from inside surface at top of window to top of sill; at the left, middle and right. **Record the tallest height of the three.**

3 MEASURE DEPTH

Measure exact depth of window casing making note of any obstacles i.e. handles, tracks or cranks that could interfere with the blind function. **Use the shortest depth.**



OUTSIDE MOUNT (OM) INSTALLATION — For increased light control and privacy

1 MEASURE WIDTH

Overall Blind Width — Measure to the nearest $\frac{1}{8}$ in. between outermost points where blind is to be placed. **Add an additional 3 in. to 6 in. to total width for maximum privacy.**

Left Blind Width — Measure the width that you want the left blind to cover. **Order this blind first when placing your order.**

Right Blind Width — Measure the width that you want the right blind to cover.

MEASURE HEIGHT

2 **Overall Blind Height** — Measure to the nearest $\frac{1}{8}$ in. from where top of blind will be located to top of sill, or measure to point of blind reach if no sill.

How to Measure Three Blinds on One Headrail

INSIDE MOUNT (IM) INSTALLATION — For a beautiful framed look

1 MEASURE WIDTH

Total Blind Width — Measure to the nearest $\frac{1}{8}$ in. between inside surfaces of window frame; at the top, middle, and bottom. **Record the narrowest width of the three.**

Left Blind Width — Measure the width that you want the left blind to cover. **Order this blind first when placing your order.**

Middle Blind Width — Measure the width that you want the middle blind to cover.

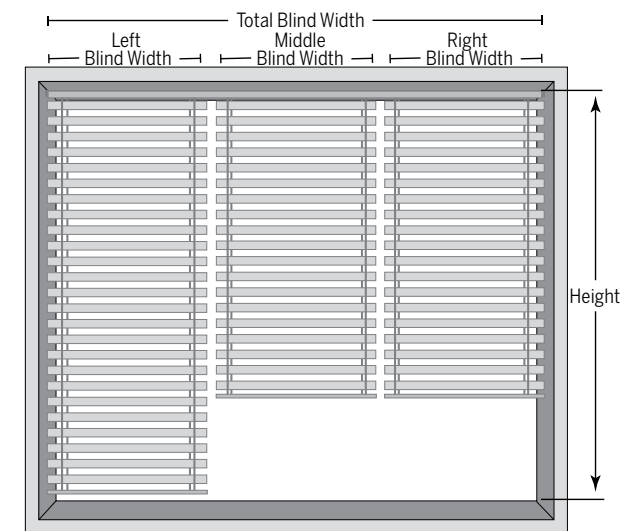
Right Blind Width — Measure the width that you want the right blind to cover.

2 MEASURE HEIGHT

Overall Blind Height — Measure to the nearest $\frac{1}{8}$ in. from inside surface at top of window to top of sill; at the left, middle and right. **Record the tallest height of the three.**

3 MEASURE DEPTH

Measure exact depth of window casing making note of any obstacles i.e. handles, tracks or cranks that could interfere with the blind function. **Use the shortest depth.**



OUTSIDE MOUNT (OM) INSTALLATION — For increased light control and privacy

1 MEASURE WIDTH

Overall Blind Width — Measure to the nearest $\frac{1}{8}$ in. between outermost points where blind is to be placed. **Add an additional 3 in. to 6 in. to total width for maximum privacy.**

Left Blind Width — Measure the width that you want the left blind to cover. **Order this blind first when placing your order.**

Middle Blind Width — Measure the width that you want the middle blind to cover.

Right Blind Width — Measure the width that you want the right blind to cover.

2 MEASURE HEIGHT

Overall Blind Height — Measure to the nearest $\frac{1}{8}$ in. from where top of blind will be located to top of sill, or measure to point of blind reach if no sill.